

**PLEASE PASS TO YOUR
ELECTRICAL
DESIGN DEPT.**

Dear Customer

Welcome to our December bulletin.

As we approach the end of 2003 Rayleigh have just completed 39 years of operation within the UK, 2004 marks our 40th anniversary.

Rayleigh was founded all those years ago by it's current Chairman Mr. Roy Lawrence. The company is still a family owned business although now part of a small Group of companies directly employing approximately 100 people.

I hope next year we will mark Rayleigh's anniversary with an appropriate celebration.

This months Product Focus highlights a product from our very comprehensive range of Signal Conditioners/Galvanic Isolators, a new catalogue is now available for these products.

Finally, may I thank you for your custom during the past year and wish you a very merry Christmas and prosperous New Year.

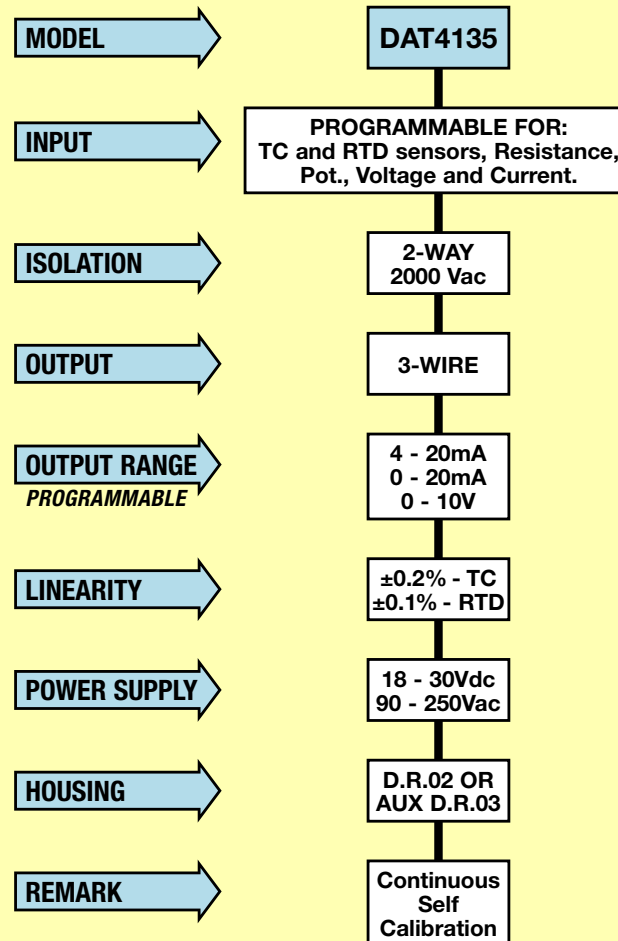
Yours sincerely
Gary Brookes
Managing Director

Please be advised that our offices close for the Christmas break at noon on Tuesday 23/12/03 and resume normal hours on Friday 2/1/04.
(A skeleton staff will be on hand during this period for emergencies only).

PRODUCT FOCUS

THE PRODUCT

The DAT 4135 is a 'smart' signal conditioner which may be factory configured or customer programmed by a PC for PT100, thermocouple, voltage, current, resistance or potentiometer inputs, each programmable over a wide range of values. The output may also be programmed for current or voltage. Galvanic isolation is also provided. Two case sizes are available, the DR02, 12.5mm wide and the DR03, 25mm wide, both for DIN rail mounting.



Data Sheet Number :

RI06035/37



PRICES & DELIVERY

DAT4135 DC Supply £89.07 Ex Stock
DAT4135/AC AC Supply £98.62 Ex Stock

Quantity Discounts Available

USEFUL CONTACTS

Instrumentation, Industrial Relays

Dave Newton, Peter Hodgetts - 01268 749301

Safety Products

John Roberts - 01268 749302

Temperature/Pressure and Rotational Products

Tom Hawkins - 01268 749303

Special Projects

Gary Brookes or John Hodgetts - 01268 749300

Customer Service

Hilary Gales, Maureen Jones & Ray Munro - 01268 749300

WEB SITE

For up-to-date company news, please visit our website at

www.rayleigh.co.uk

We would welcome your comments.

RAYLEIGH INSTRUMENTS LIMITED

FAX BACK
01268 749309

Company Name: _____

Address: _____

Postcode: _____

Tel: _____

Contact: _____

Position: _____



Please send details of your **DAT 4135** Series Signal Conditioners.