



Expansion modules for output contacts

Main functions

- Possibility of control with 1 or 2 channels
- Connection of the input channels to opposite potentials
- Small 22,5 mm housing
- Output contacts:
 - 5 NO safety contacts,
 - 1 NC auxiliary contact,
 - 1 NC feedback contact
- Supply voltages: 24 VAC/DC

Utilization categories

Alternate current: AC15 (50...60 Hz)

U_e (V) 230I_e (A) 3

Direct current: DC13 (6 operations/minute)

U_e (V) 24I_e (A) 6**Markings, quality marks and certificates:**

Approval UL: E131787

Complying with the requirements requested by:

Low Voltage Directive 2006/95/EC,

Machinery Directive 2006/42/EC,

Electromagnetic Compatibility 2004/108/EC

Technical data**Housing**

Made of polyamide PA 6.6 self-extinguishing, class V0 (UL94)

Protection degree:

IP40 (housing), IP20 (terminals)

Dimensions:

see page 4/141, shape A

General data

Safety category:

up to category 4 according to EN 954-1
(dependent on the base module)

Ambient temperature:

from -25°C to +55°C

Mechanical endurance:

>10 millions of operations

Electrical endurance:

>100.000 operations

Pollution degree:

outside 3, inside 2

Rated impulse with stand voltage (U_{imp}):

4 kV

Rated insulation voltage (U_i):

250 V

Over-voltage category:

III

Weight:

0,3 Kg

Power supplyRated operating voltage (U_n):

24 VAC/DC; 50...60 Hz

Max residual ripple in DC:

10%

Supply voltage tolerance:

±15% of U_n

Rated power consumption AC:

< 5 VA

Rated power consumption DC:

< 2 W

Control circuit

Protection against short circuits:

resistance PTC, I_h=0,5 A

Operating time of PTC:

intervention > 100 ms, reset > 3 s

Max input resistance:

≤ 50 Ω

Operating time t_A:

40 ms

Releasing time in absence of power supply t_R:

40 ms

Simultaneity time t_C:

infinite

In conformity with standards:

IEC 60947-1, EN 60947-1, IEC 60204-1, EN 60204-1, EN ISO 13849-1, EN 999, EN 1037, EN ISO 12100-1, EN ISO 12100-2, EN ISO 13850, IEC 529, EN 60529, EN 61000-6-2, EN 61000-6-3, EN 62326-1, EN 60664-1, UL 508, CSA C22.2 n° 14-95

Output circuit

Output contacts:

5 NO safety contacts,
1 NC auxiliary contact,
1 NC feedback contact

Contacts type:

forced guided contacts

Contacts material:

silver alloy, gold plated

Max switching voltage:

230/240 VAC; 300 VDC

Max switching current per contact:

6 A

Conventional free air thermal current I_{th}:

6 A

Contacts resistance:

≤ 100 mΩ

Contact protection fuse:

6 A

Code structure**CS ME-01V024**

Kind of connection

V screw terminals**M** connector with screw terminals**X** connector with spring terminals

Supply voltage

024 24 VAC/DC ±15%**Data type approved by UL**Rated operating voltage (U_n):

24 VAC/DC; 50...60 Hz

Rated power consumption AC:

< 5 VA

Rated power consumption DC:

< 2 W

Max switching voltage:

230 VAC

Max switching current per contact:

6 A

Utilization category

C300

Notes:

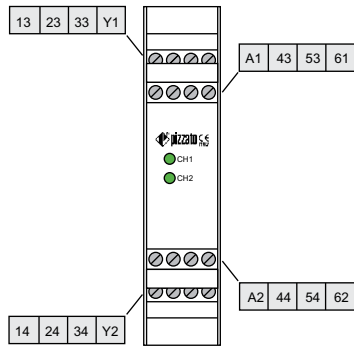
- Use 60° or 75 °C copper (Cu) conductor and wire size No. 30-12 AWG.

- Terminal tightening torque of 5-7 Lb-In.

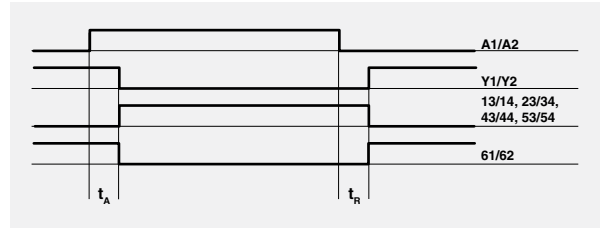
- Only for 24 VAC/DC version, supply from remote class 2 source or limited voltage and limited energy.

Expansion module CS ME-01

Terminals layout

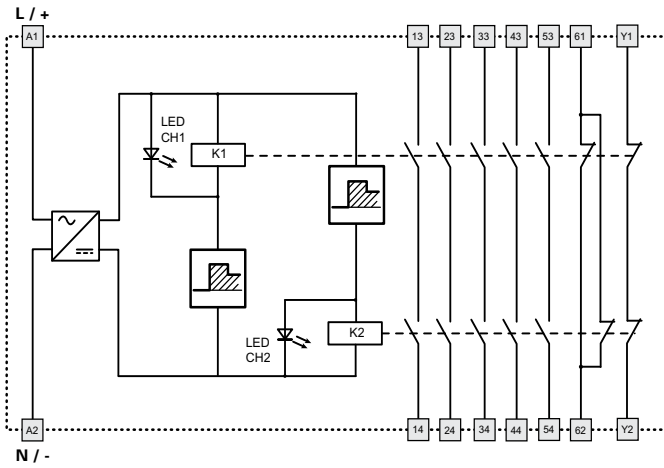


Operations diagram

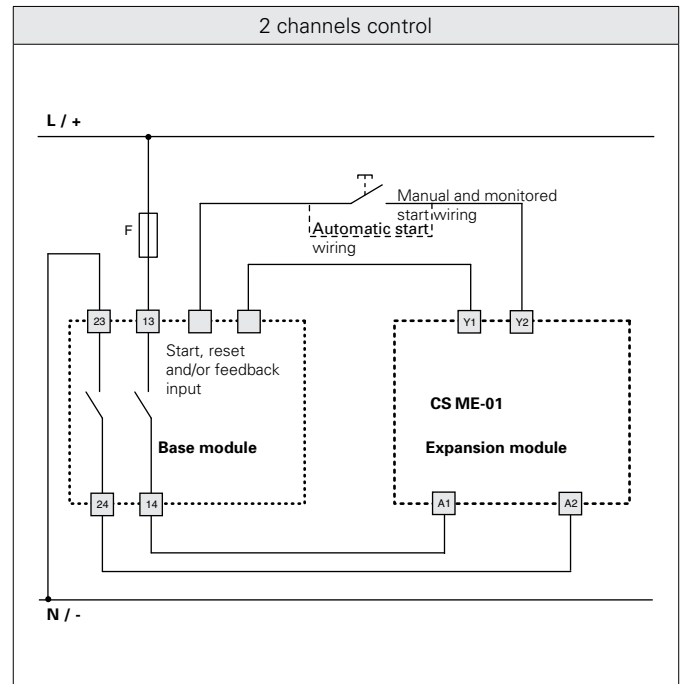
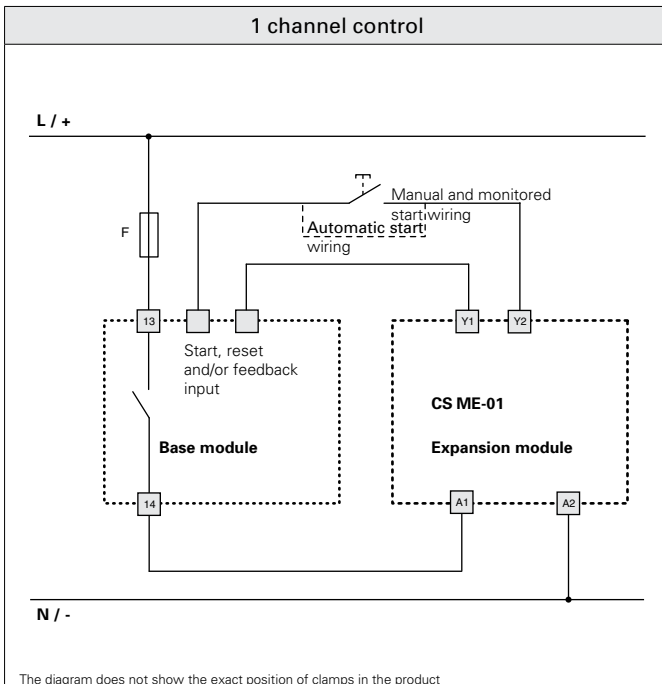


Legend:
 t_A : Operating time
 t_R : Releasing time in absence of power supply

Internal wiring diagram



Inputs configuration



The diagram does not show the exact position of clamps in the product