

**FEATURES**

- Asynchronous serial data transmission
- Automatic baud-rate fitting up to 115.2 Kbps
- Distance up to 1200 m
- Point to point connection or multipoint connection up to 32 modules
- DC or AC power supply
- Galvanic isolation
- EMC compliance – CE mark
- Suitable for DIN rail mounting in compliance with EN-50022

**GENERAL DESCRIPTION**

The device DAT3580-USB is an isolated interface converter between USB port and asynchronous serial lines RS485 or RS422 that guarantees a full isolation between power supply, USB and serial line RS-485 or 422 removes eventual ground-loop effects, allowing the use of the device even in the heavy environmental conditions.

It is designed to operate either on serial interface RS-422 full-duplex 4 wires or RS485 half-duplex 2 wires, with a baud-rate transmission up to 115.2 Kbps.

The transmission is asynchronous without settings of protocol, data format and baud rate.

The DAT 3580-USB is in compliance with the 89/336/EEC directive on the electromagnetic compatibility.

The device is housed in a rough self-extinguishing plastic container which, thanks to its thin profile of 22.5 mm only, allows a high density mounting on EN-50022 standard DIN rail.

**USER INSTRUCTIONS**

Before to install the device, please read the "Installation Instruction" section.

The device DAT3580-USB converts the serial transmission from USB to RS-485 (2 wires) or RS-422 (4 wires) as follows.

The data incoming from the line TX of USB port are converted and transmitted to the terminals D-E of RS-485 and RS-422.

The data incoming from the line RX of RS-485 (terminal D and E) or RS-422 (terminal B and C) are converted and transmitted to the terminal RX of USB port.

The transmission of the signal follows the logic state of every single bit, then there is not necessary to set the protocol, the data format and the baud-rate.

When the data transmission from the USB is off, the RS-485 driver is in the receive condition (high impedance); when the data transmission from the USB goes on the RS-485 driver switch immediately to the transmission condition (low impedance). The low impedance is kept for about 150 us, then the line returns automatically in high impedance to keep free the line in case of error.

**TECHNICAL SPECIFICATIONS (Typical @ 25 °C and in the nominal conditions)**

<b>In compliance with</b>	<b>USB 2.0 , EIA RS485 and RS422</b>	<b>Power supply</b>	DC: 10 ÷ 30 V AC: 9 ÷ 18 V – option "12" AC: 18 ÷ 30 V – option "24"
Baud-rate	up to 115.2 Kbps	<b>Current consumption</b>	35 mA @ 24Vdc
Max. distance / baud-rate ratio (recommended) (1)	1,2 Km @ 38400 bps 2 Km @ 19200 bps 3 Km @ 9600 bps 4 Km @ 4800 bps 5 Km @ 2400 bps 7 Km @ 1200 bps	<b>Isolations</b>	Power supply / USB 2000 Vac, 50 Hz, 1 min. Power supply / RS485-422 2000 Vac, 50 Hz, 1 min. USB / RS485-422 2000 Vac, 50 Hz, 1 min.
Number of modules in multipoint	up to 32	<b>EMC</b>	Immunity EN 61000-6-2 Emission EN 61000-6-4
Switching time TX/RX (RS485)	150 us.	<b>Operative temperature</b>	-20 ÷ +60 °C
Internal terminator resistance (optional)	120 Ohm	<b>Storage temperature</b>	-40 ÷ +85 °C
		<b>Relative humidity (not condensed)</b>	0 ÷ 90 %
		<b>Connection USB</b>	USB Connector type "A"
		<b>Connection RS485/422</b>	removable screw terminals
		<b>Housing</b>	
		Material	Self-extinguishing plastic
		Mounting	DIN rail in compliance with EN-50022
		Dimensions in mm.(W x H x T)	100 x 120 x 22.5
		Weight	about 160 gr.

(1) – The maximum distance depends of: number of devices connected, type of cabling, noises, etc...

## INSTALLATION INSTRUCTIONS

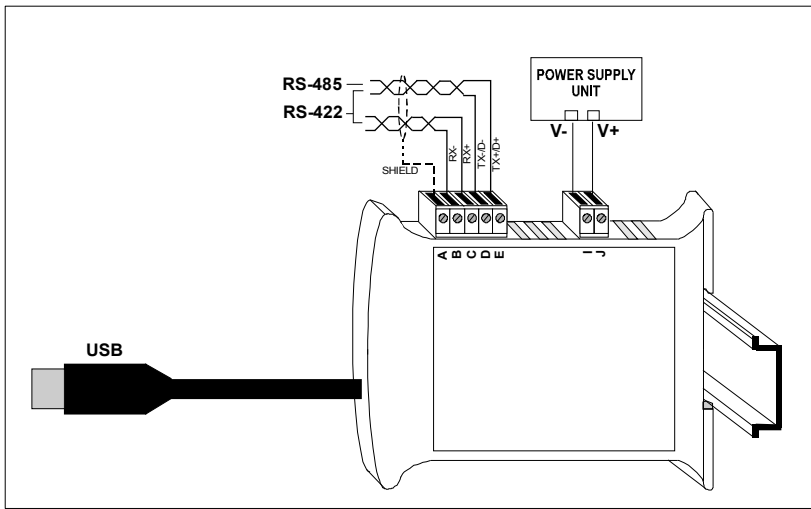
The DAT 3580-USB device is suitable for fitting to DIN rails in the vertical position. For optimum operation and long life follow these instructions:

**When the devices are installed side by side it may be necessary to separate them by at least 5 mm in the following case:**  
 - If panel temperature exceeds 45°C and high power supply value( > 27 Vdc).

Make sure that sufficient air flow is provided for the device avoiding to place raceways or other objects which could obstruct the ventilation slits. Moreover it is suggested to avoid that devices are mounted above appliances generating heat; their ideal place should be in the lower part of the panel.  
 Install the device in a place without vibrations.

Moreover it is suggested to avoid routing conductors near power signal cables (motors, induction ovens, inverters, etc...) and to use shielded cable for connecting signals.

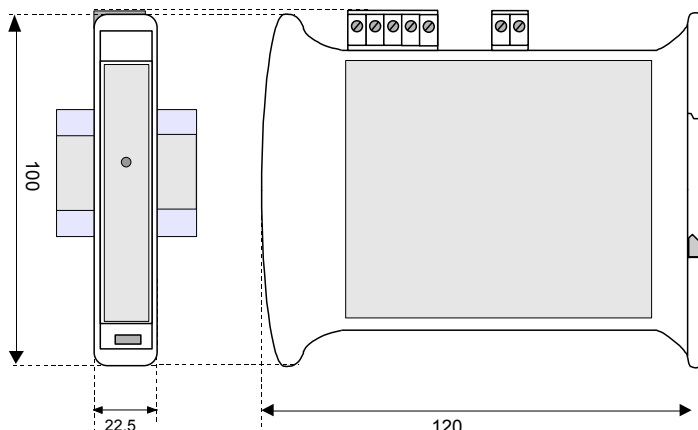
## CABLING



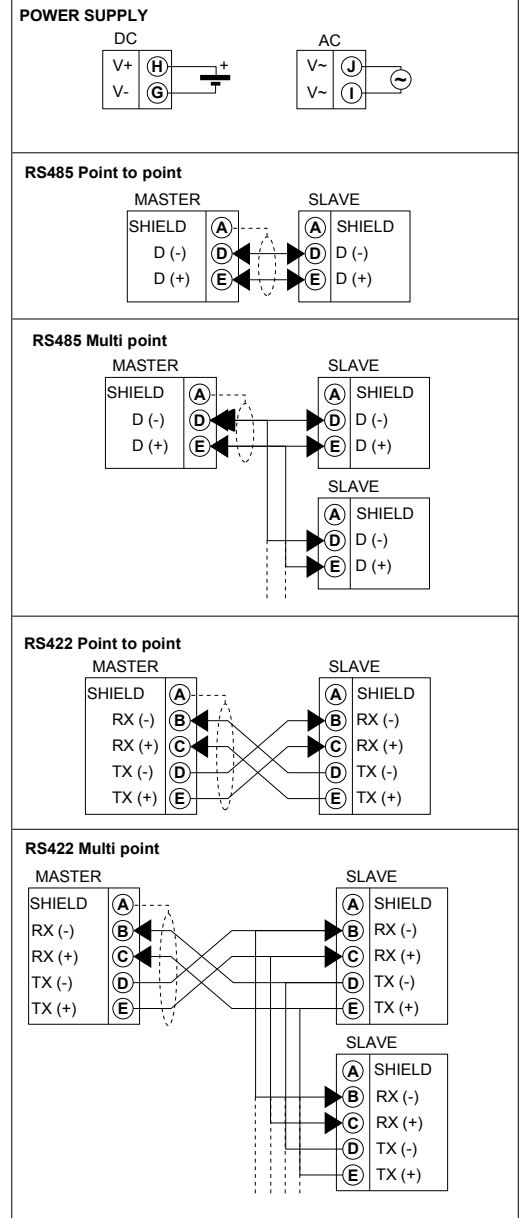
## LIGHT SIGNALLING

LED	COLOUR	STATE	DESCRIPTION
PWR	GREEN	ON	Device powered
		OFF	Device not powered
TX	RED	RAPID BLINK	Data transmission from the USB port (the blink frequency depends to the baud-rate)
		OFF	No communication in progress
RX	RED	RAPID BLINK	Data reception on the RS485/422 port (the blink frequency depends to the baud-rate)
		OFF	No communication in progress

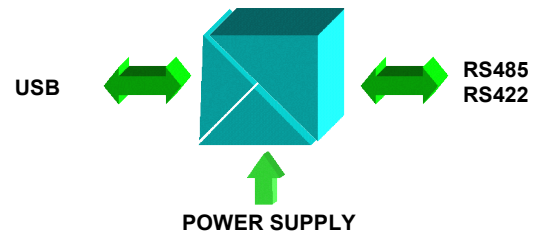
## DIMENSIONS (mm)



## WIRING



## ISOLATION STRUCTURE



## HOW TO ORDER

In phase of order it is necessary to specify the type of interface (RS485 or RS422) and the value of the AC power supply (12 or 24Vac).

DAT 3580-USB / 2W / 12

Type of interface:  
 2W: RS-485 (2 wires)  
 4W: RS-422 (4 wires)

Value of AC power supply:  
 12 : 12Vac (9÷18 V)  
 24 : 24Vac (18÷30 V)

■ = Requested  
 □ = Optional