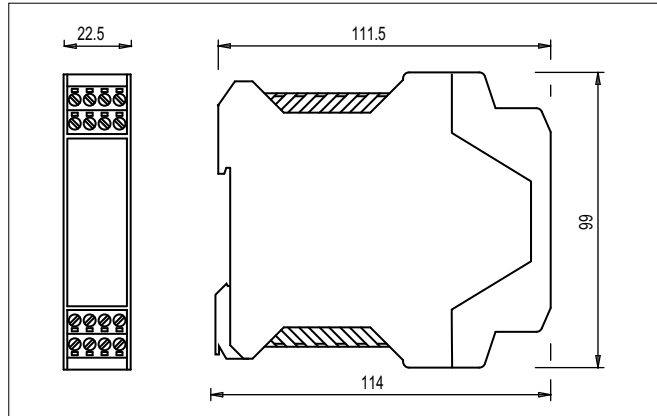


**Shape A, 22,5 mm thickness housing****Connection data**

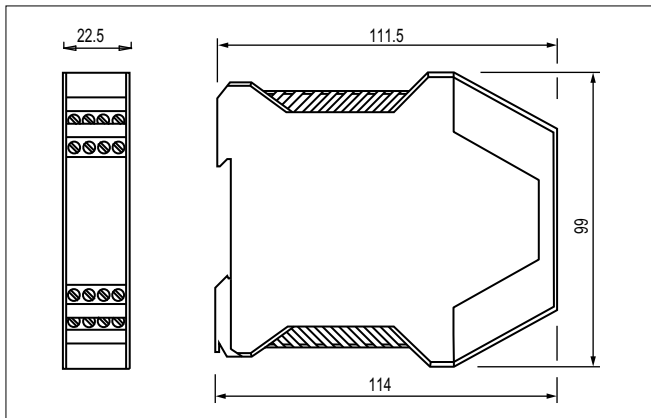
Terminals driving torque: 0,5...0,6 Nm  
 Cross section of the conductors: 0,2...2,5 mm<sup>2</sup>  
 24...12 AWG

**Installation**

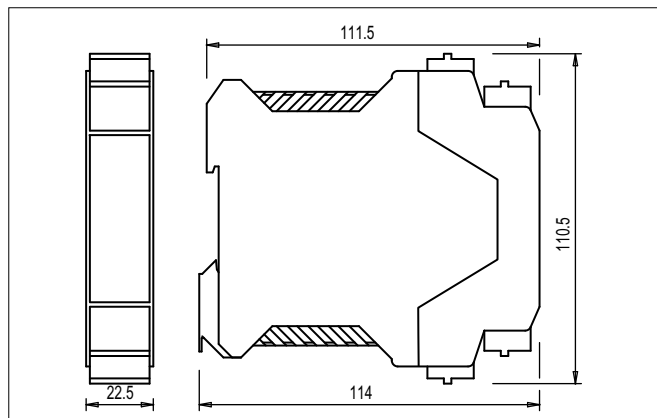
Snap mounting on DIN-rail



Connector with screw terminals



Screw terminals



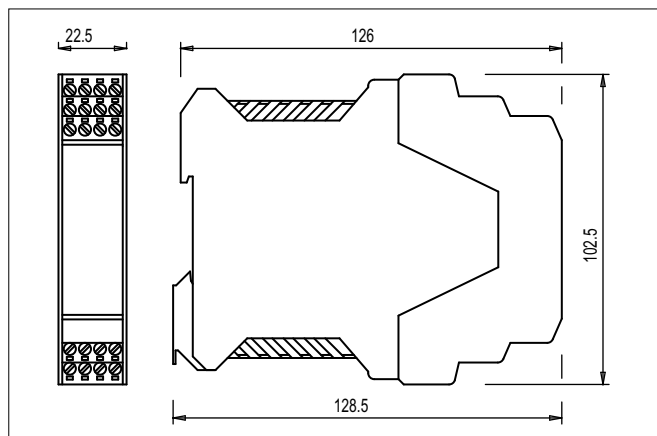
Connector with spring terminals

**Shape B, 22,5 mm thickness housing****Connection data**

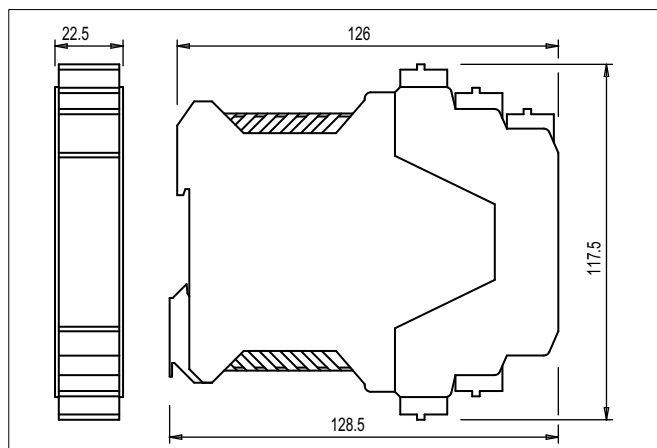
Terminals driving torque: 0,5...0,6 Nm  
 Cross section of the conductors: 0,2...2,5 mm<sup>2</sup>  
 24...12 AWG

**Installation**

Snap mounting on DIN-rail



Connector with screw terminals



Connector with spring terminals

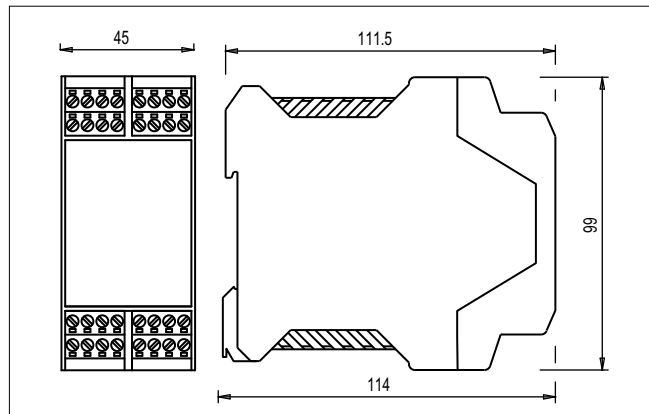
**Shape C, 45 mm thickness housing**

**Connection data**

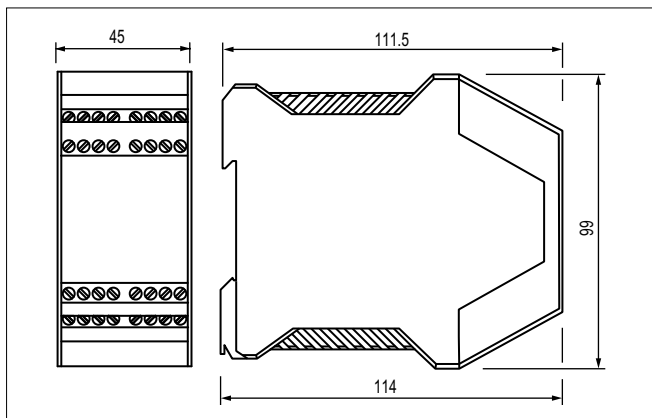
Terminals driving torque: 0,5...0,6 Nm  
 Cross section of the conductors: 0,2...2,5 mm<sup>2</sup>  
 24...12 AWG

**Installation**

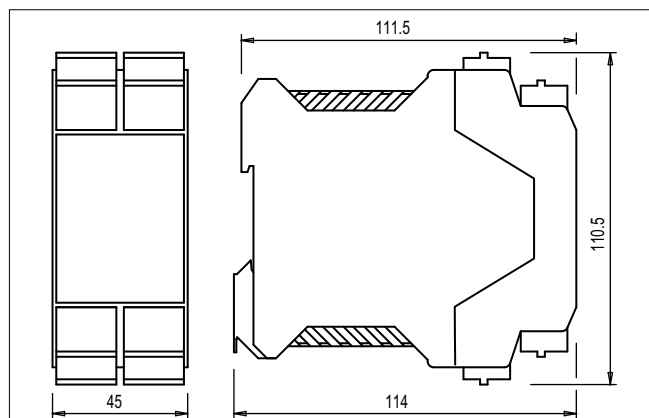
Snap mounting on DIN-rail



Connector with screw terminals



Screw terminals



Connector with spring terminals

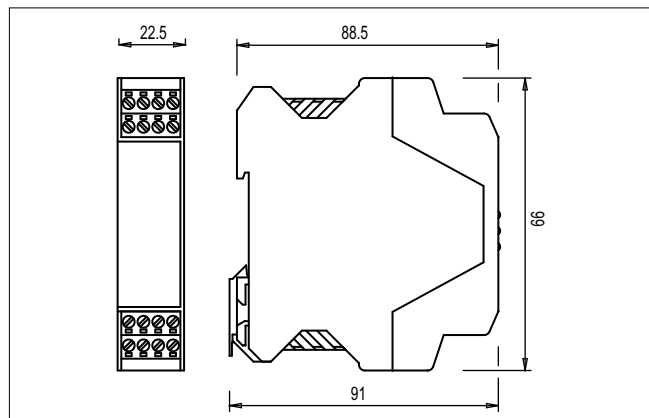
**Shape D, 22,5 mm thickness housing**

**Connection data**

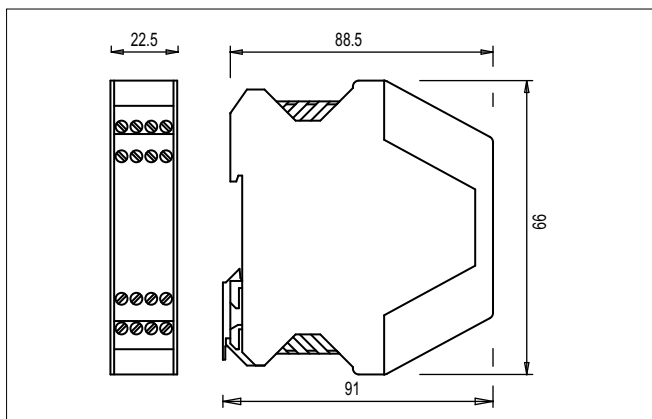
Terminals driving torque: 0,5...0,6 Nm  
 Cross section of the conductors: 0,2...2,5 mm<sup>2</sup>  
 24...12 AWG

**Installation**

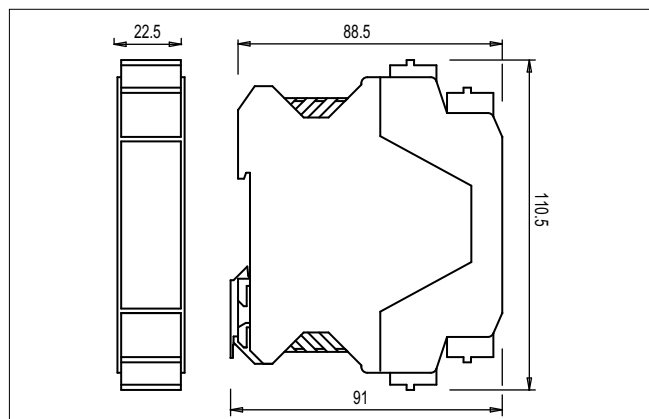
Snap mounting on DIN-rail



Connector with screw terminals



Screw terminals



Connector with spring terminals