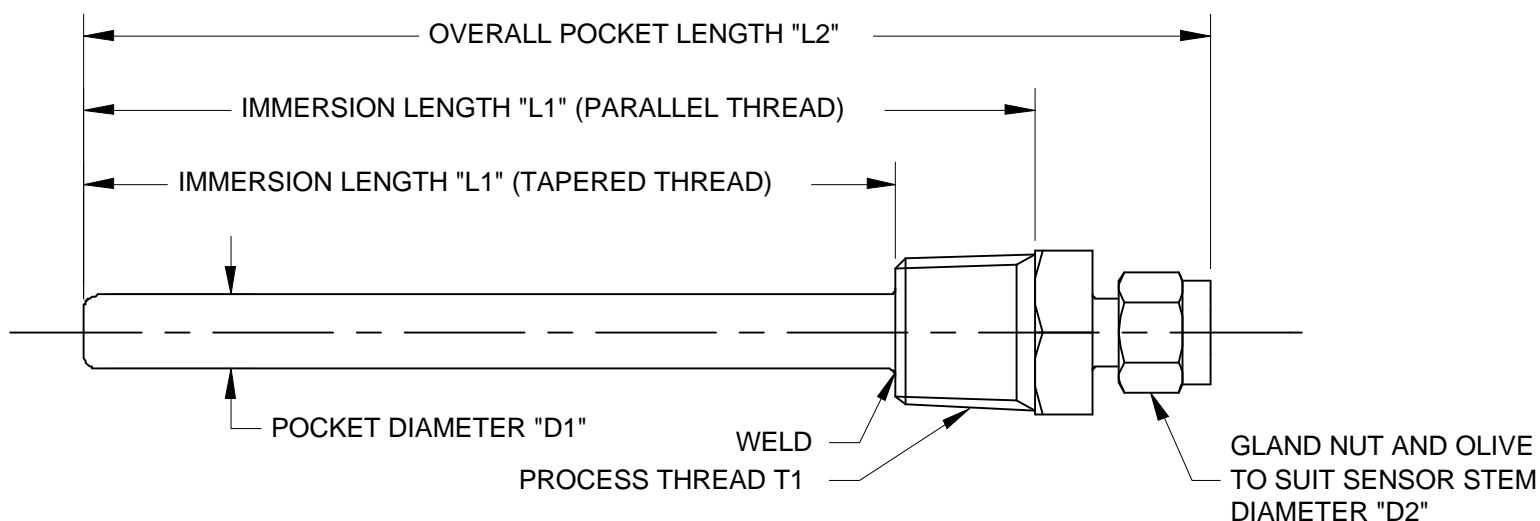


PPL50-TW Fabricated Pocket with Compression Gland

Our PPL50 pocket is a simple, cost effective fabricated pocket that is easy to install and allows removal of the sensor at a later date without the need to drain down a system. As all wetted parts are 316 stainless steel, the pocket is suitable for use in most application. This pocket is ideally suited for use with our PPL1 and PPL3 sensors. Various common options are shown on this data sheet but this is not an exhaustive list, please contact us with your requirements.

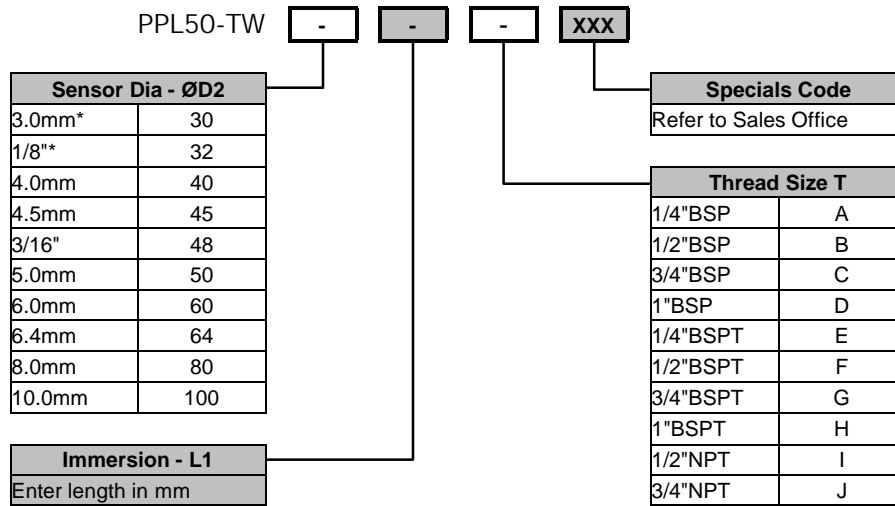


Specifications	
Pocket Material	316 stainless steel
Operating Range	-75 to +800°C
Thread Types	A - 1/4" BSP B - 1/2" BSP C - 3/4" BSP D - 1" BSP E - 1/4" BSPT F - 1/2" BSPT G - 3/4" BSPT H - 1" BSPT I - 1/2" NPT J - 3/4" NPT Other threads available upon request.

Full details of all our products can be seen on our web-site:

www.processparameters.co.uk

PPL50-TW Fabricated Pocket with Compression Gland



NOTE: Some sensor diameter / thread type combinations not possible

This data sheet gives details of the most popular options available for this type of sensor but is not intended to give an exhaustive list of possibilities. If you have a special requirement, please contact our sales office for assistance.