

Nemo D4-L+

Multifunction Power Meters – DIN Rail Mounting - Isolated Input

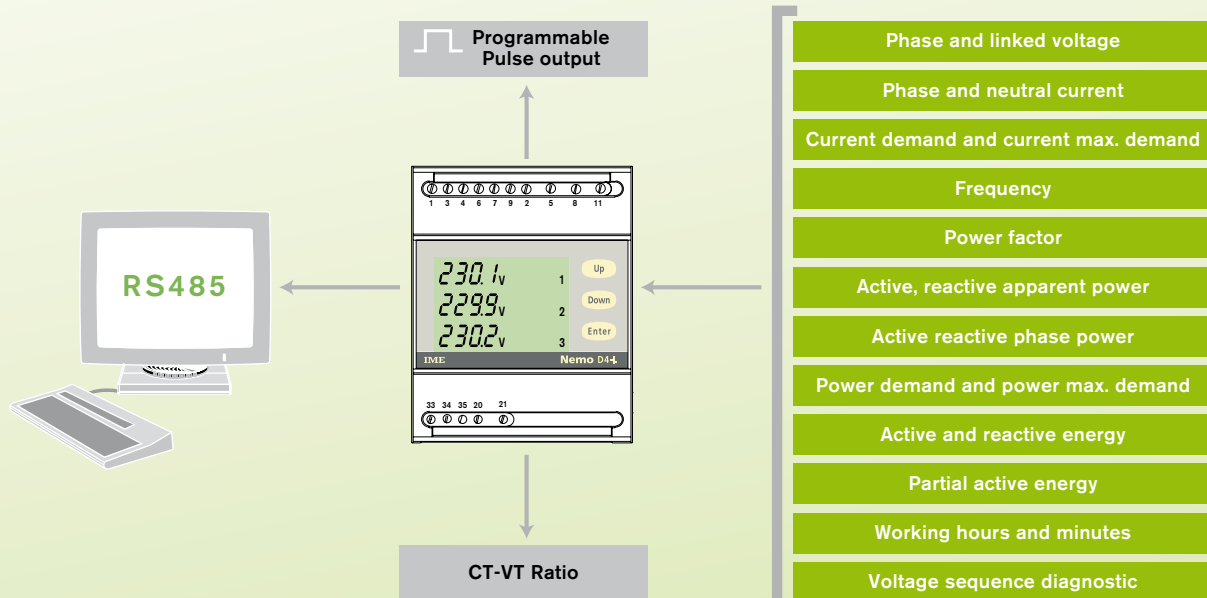


Flush Mounting
See kit page 3

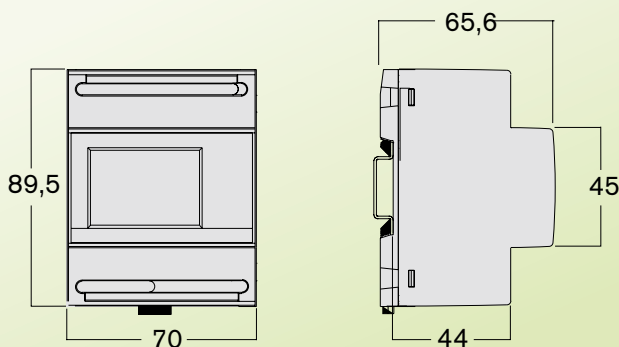
Free Software
On request

- 4 module DIN rail mounting
- Single & three phase (3 or 4 wire) network unbalanced load
- Isolated input
- Voltage
- Current
- Neutral current
- Average current
- Peak current (resettable)
- Frequency
- Active, reactive and apparent power
- Phase active and reactive power
- Average power
- Peak power (resettable)
- Power factor
- Active energy class 1 (EN62053-21)
- Reactive energy class 2 (EN62053-23)
- Partial active energy (resettable)
- Hours run
- Phase sequence diagnostics
- Pulsed output or RS485 communication
- Profibus communication output (with separate module)
- -/1A, -/5A current transformer operated
- 50...450V direct or VT operated measured voltage
- Programmable current transformer ratio
- Programmable voltage transformer ratio
- Auxiliary 48/115/230Vac, 20...150Vdc

Function Diagram



Dimensions



How to Order / Model Reference

eg **MF6HT 4 000 6**

| | MF6HT | 4 | 000 | 6 |
|-------------------------------------|-------|---|-----|---|
| Model | MF6HT | | | |
| Output | | | | |
| Pulsed output | | U | | |
| RS485 communication + pulsed output | | 4 | | |
| Input | | | | |
| 1A & 5A CT input | | | 000 | |
| Auxiliary Supply | | | | |
| 230Vac | | | | 6 |
| 115Vac | | | | 3 |
| 20...150Vdc / 48V 50Hz | | | | H |

DATA SHEET : RD1100