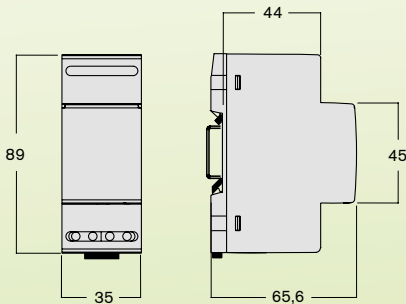


IF2E001 Ethernet/RS485 Gateway

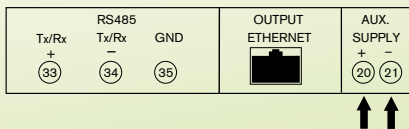


- Bidirectional RS485 – Ethernet converter (standard IEEE802.3)
- Galvanically isolated
- RS485: Screw Terminals
- Ethernet: RJ45
- Auxiliary 22...260 Vac/dc 50/60Hz
- Din rail mounted
- Dimensions 89 x 35 x 65.6mm including Din Rail Clip
- Up to 255 device inputs

Dimensions



Connection Diagrams



How to Order / Model Reference

eg **IF2E001**

Model **IF2E001**
Model
Ethernet (IEEE802.3) / RS485 Gateway

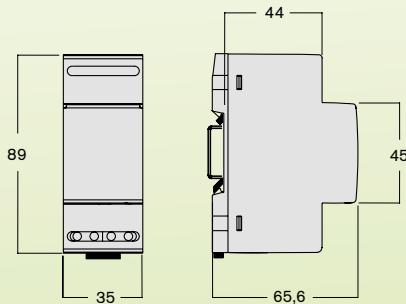
DATA SHEET : RD1170

IF2E002 RS232/RS485 Gateway

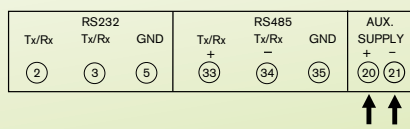


- Bidirectional RS232 – RS485 converter
- Galvanically isolated
- RS232: Screw Terminals
- RS485: Screw Terminals
- Auxiliary 22...260 Vac/dc 50/60Hz
- Din rail mounted
- Dimensions 89 x 35 x 65.6mm including Din Rail Clip
- Up to 255 device inputs

Dimensions



Connection Diagrams



How to Order / Model Reference

eg **IF2E002**

Model **IF2E002**
Model
RS232 / RS485 Gateway

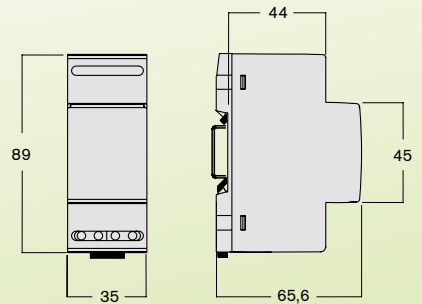
DATA SHEET : RD1175

IF2E003 RS485 Booster Interface

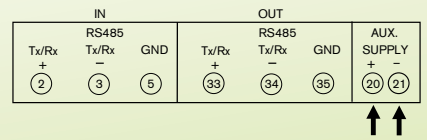


- Boost Signal when more than 1200m required
- Boost Signal after every 31 devices allowing up to 255 devices
- Screw Terminals
- Auxiliary 22...260 Vac/dc 50/60Hz
- Din rail mounted
- Dimensions 89 x 35 x 65.6mm including Din Rail Clip

Dimensions



Connection Diagrams



How to Order / Model Reference

eg **IF2E003**

Model **IF2E003**
Model
RS485 Booster Interface

DATA SHEET : RD1180