

## DESCRIPTION

A range of high quality 3 phase current transformers in a single housing suitable for primary currents from 40A to 800A.

## FEATURES

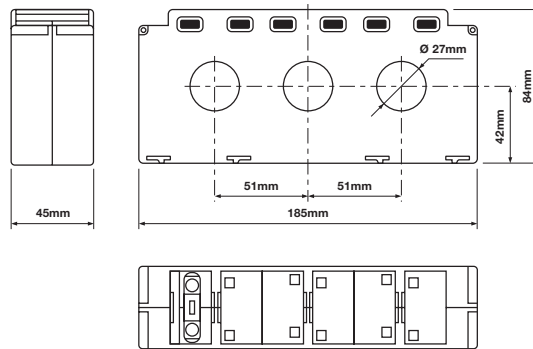
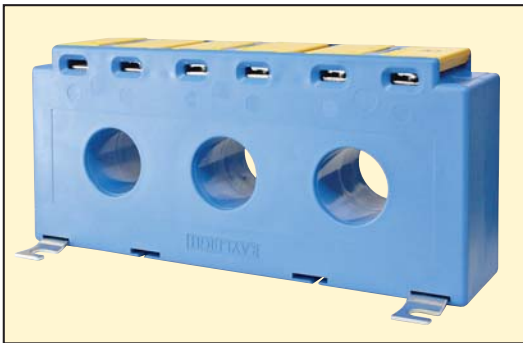
- 27 and 37mm diameter aperture.
- Hinged terminal cover.
- Supplied with steel fixing feet and DIN rail mounting adapter.
- Screw terminal with dual connection facility giving access from both sides of the transformer.

## SPECIFICATIONS

Reference Standards	EN60044-1, BS3938, BS7626
Housing Material	Self extinguishing polycarbonate, classification VO according to UL-94
Secondary Current	5A – Standard
Rated Insulation Voltage	0.72KV
Rated Test Voltage	3KV for 1 min at 50HZ
Frequency Range	47 to 63 HZ
Insulation Class B	(CEI EN 60044-1)
Ambient Temperature Range	-20 Deg C to + 85 Deg C
Mounting	Din Rail, 4 off Steel Fixing Feet
Terminals	M4 Screws with built in terminal covers.

## TAS227

Cable aperture	3 @ 27mm diameter
Secondary terminals	M4 Screws
Terminal covers	Built in
Weight	600g

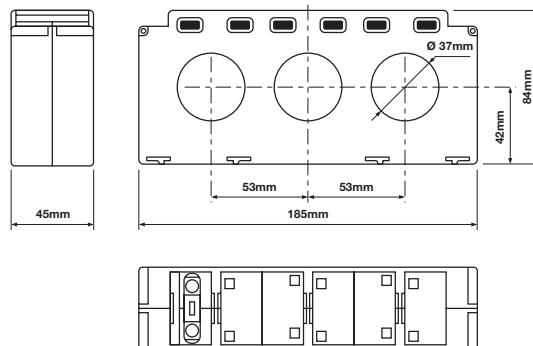
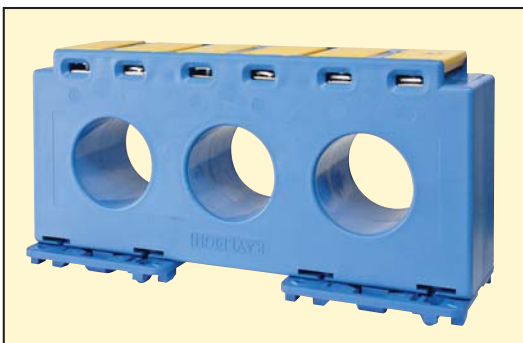


Primary current A	Burden	
	cl. 1 VA	cl. 3 VA
40	-	1.25
60	-	1.5
80	-	1.5
100	1.5	1.5
150	1.5	1.5
200	2.5	2.5
250	2.5	2.5
300	5	5
400	5	5
500	5	5
5A secondary		

Supplied with 4 fixing feet and DIN Rail mounting adapters.  
(Pictured with fixing feet fitted).

## TAS237

Cable aperture	3 @ 37mm diameter
Secondary terminals	M4 Screws
Terminal covers	Built in
Weight	600g



Primary current A	Burden	
	cl. 1 VA	cl. 3 VA
300	2.5	2.5
400	5	5
500	5	5
600	5	5
800	5	5
5A secondary		

Supplied with 4 fixing feet and DIN Rail mounting adapters.  
(Pictured with DIN Rail adapters fitted).

**DESCRIPTION**

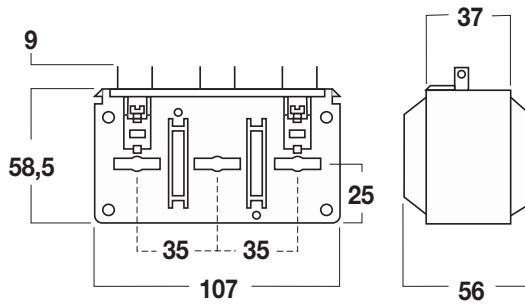
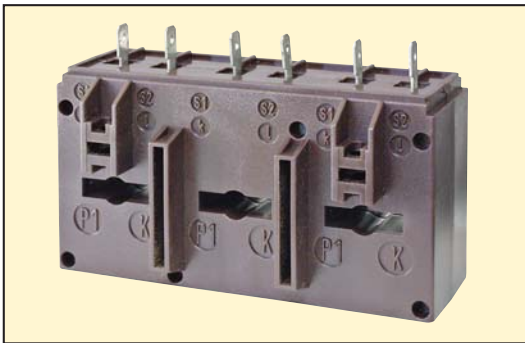
A range of 3 current transformers in a single housing suitable for primary currents from 100A to 400A, for busbar primaries.

**SPECIFICATIONS**

Reference Standards EN60044-1, BS3938, BS7626  
 Housing Material Self extinguishing polycarbonate, classification VO according to UL-94  
 Rated Voltage 0.72/3KV

**TATB (FORMERLY TA320)**

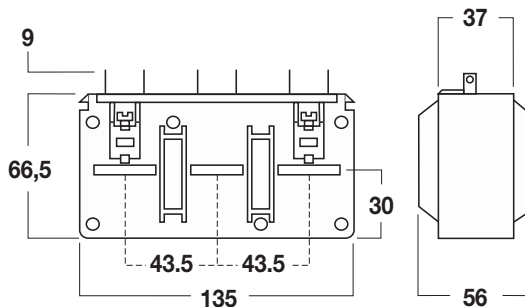
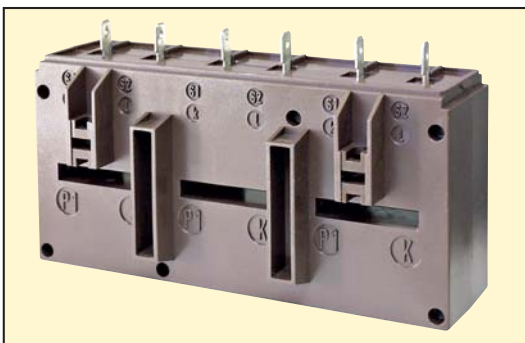
Busbar aperture 3 @ 20.5 x 5.5mm  
 Secondary terminals 6.3 x 0.8mm fast-on



Primary current A	Burden	
	cl. 1 VA	cl. 3 VA
100	-	1.6
120	-	1.6
125	-	1.6
150	-	2
200	2	3
250	3	4
5A secondary		

**TATD (FORMERLY TA320)**

Busbar aperture 3 @ 30.5 x 5.5mm  
 Secondary terminals 6.3 x 0.8mm fast-on



Primary current A	Burden	
	cl. 1 VA	cl. 3 VA
150	1.5	2
200	2	3
250	3	4
300	3	5
400	4	6
5A secondary		