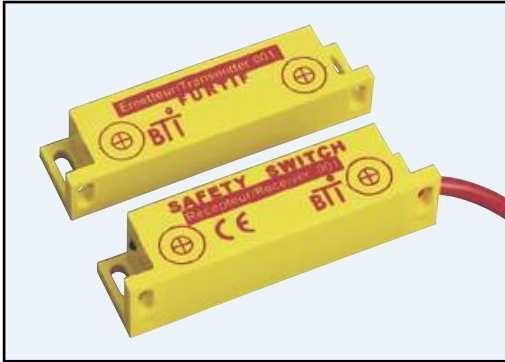


# Type AMX3/AMX4

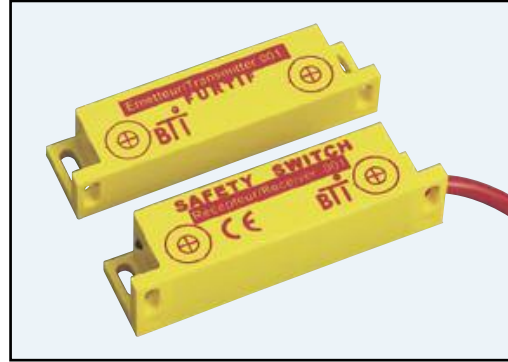
## AMX3



Dimensions and specifications - see page 222



## AMX4



Dimensions and specifications - see page 222



Pending

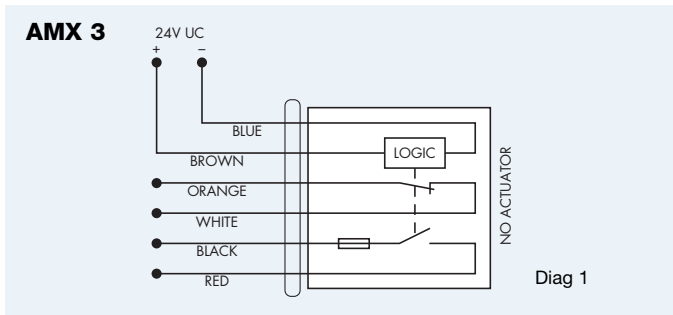
### FEATURES

- Category 3 (automatic checking)
- Monitored output contacts 1 N/O, auxiliary output 1 N/C
- Available in polycarbonate or stainless steel
- Up to 10mm misalignment /operating tolerance
- 24V ac/dc auxiliary supply
- Automatic detection of contact failure

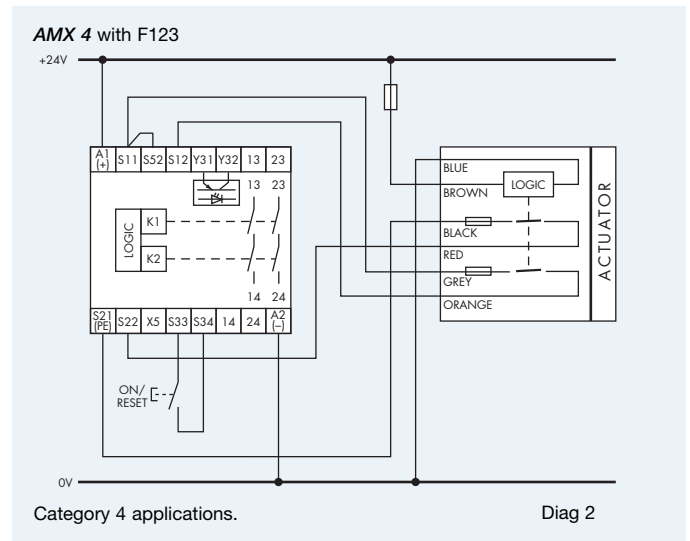
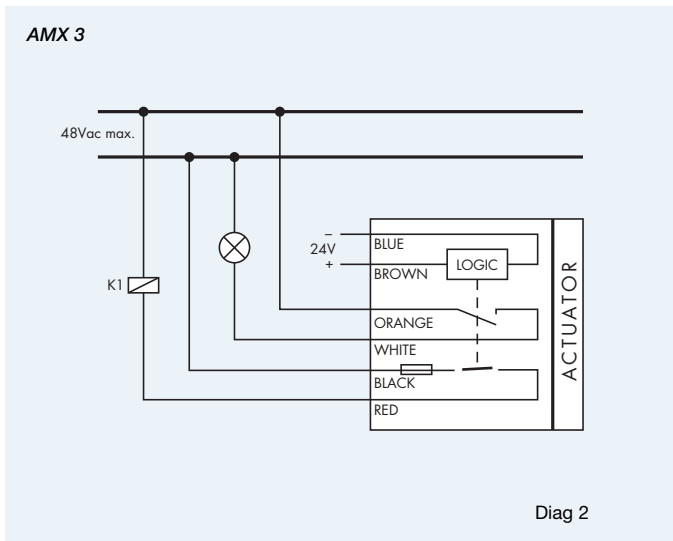
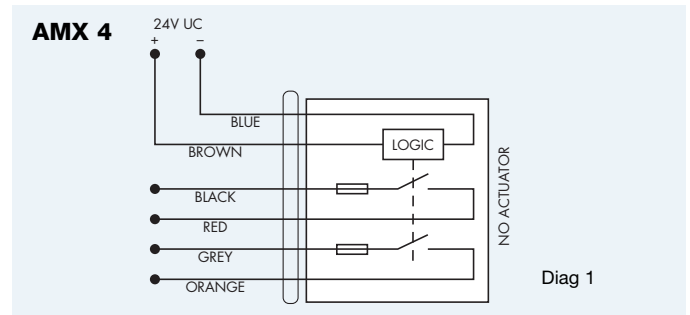
### FEATURES

- Category 2 (automatic checking)
- Category 4 when used with appropriate Safety Relay
- Monitored output contacts 2 N/O,
- Up to 10mm misalignment /operating tolerance
- 24V ac/dc auxiliary supply
- Automatic detection of contact failure

### TYPICAL SCHEMATIC DIAGRAM



### TYPICAL SCHEMATIC DIAGRAM



### VERSIONS

- AMX3 - polycarbonate housing
- AMX3OX - 316L stainless steel housing

### VERSIONS

- AMX4 - polycarbonate housing