

Type AMX5/2SSR

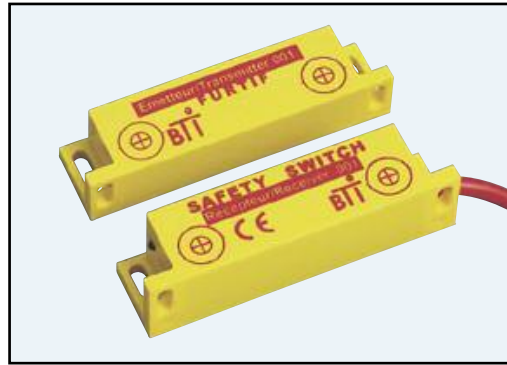
AMX5



Dimensions and specifications - see page 222



2SSR



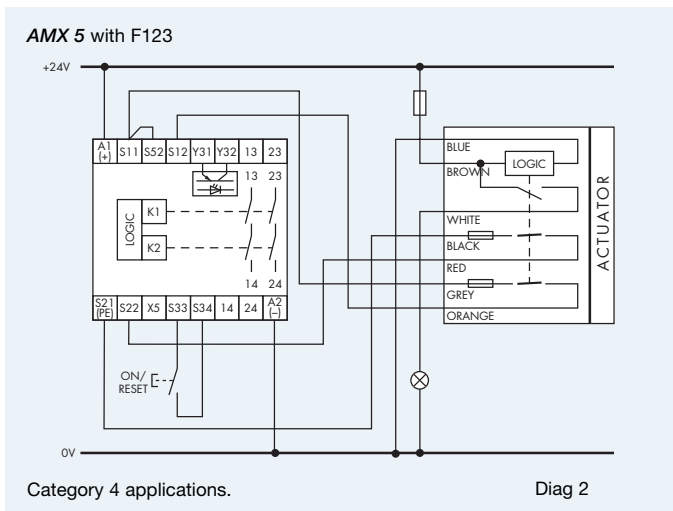
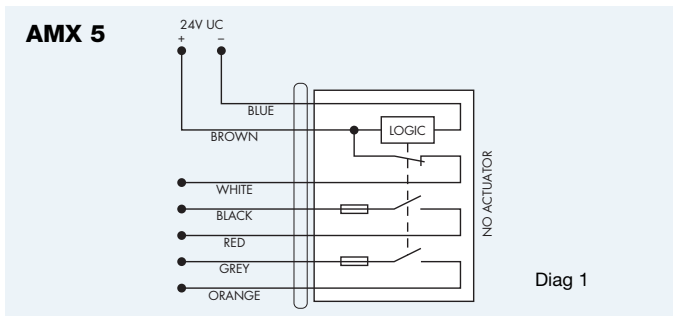
Dimensions and specifications - see page 222



FEATURES

- Category 2 (automatic checking)
- Category 4 when used with appropriate Safety Relay
- Monitored output contacts 2 N/O, 1 N/C
- Up to 10mm misalignment /operating tolerance
- 24V ac/dc auxiliary supply
- Available in polycarbonate or stainless steel
- Automatic detection of contact failure

TYPICAL SCHEMATIC DIAGRAM



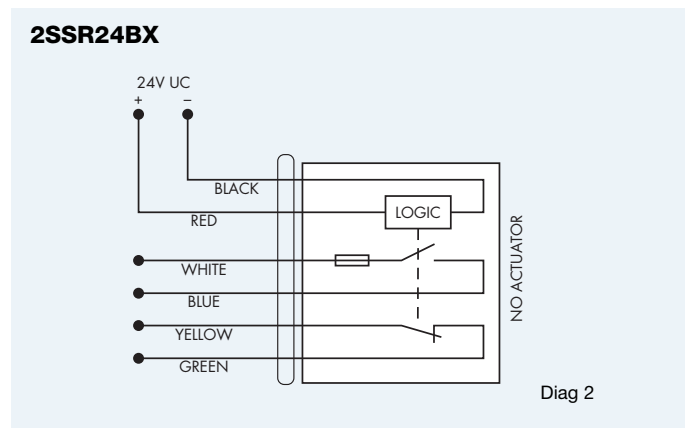
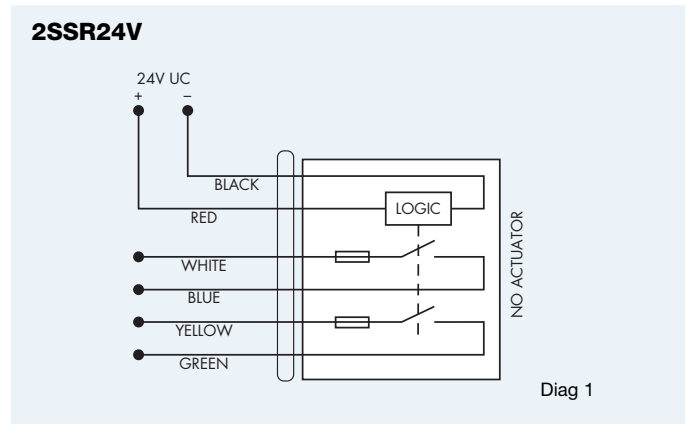
Category 4 applications.

Diag 2

FEATURES

- Category 2 (when check done by system)
- Category 3 or 4 when used with appropriate Safety Relay
- Monitored output contacts 2 N/O or 1N/O, 1 N/C
- Up to 6mm misalignment /operating tolerance
- 8 Available codes
- 24V ac/dc auxiliary supply

TYPICAL SCHEMATIC DIAGRAM



VERSIONS

- AMX5 - polycarbonate housing
- AMX5OX - 316L stainless steel housing

DATA SHEET RI14010

VERSIONS

- 2SSR24V - 2 N/O contacts (Add 001 to 008 for code)
- 2SSR24BX - 1 N/O, 1 N/C contacts (Add 001 to 008 for code)

DATA SHEET RI14015