

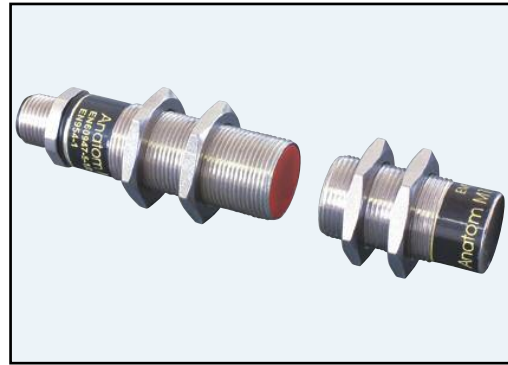
Type Opto 2S/Anatom M18

OPTO 2S



Dimensions and specifications - see page 222

ANATOM M18



Dimensions and specifications - see page 223

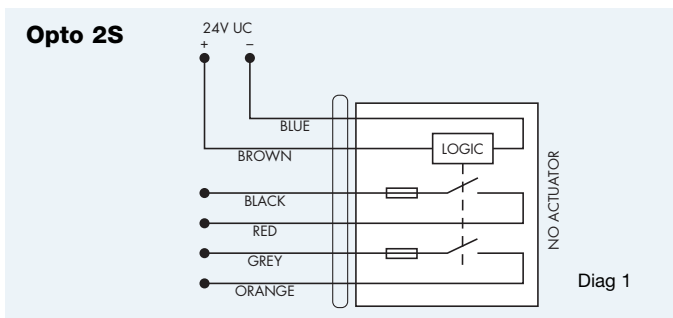
FEATURES

- Category 4 when used with appropriate Safety Relay
- Monitored output contacts 2 N/O
- Up to 5mm misalignment /operating tolerance
- 24V ac/dc auxiliary supply

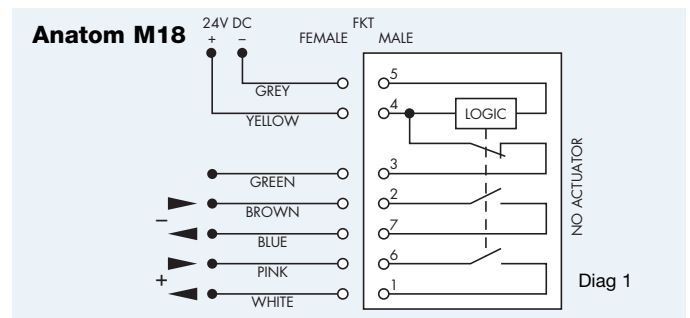
FEATURES

- Category 4 when used with appropriate Safety Relay
- Semi-conductor output 2 N/O, Auxiliary output 1 N/C
- Up to 5mm misalignment /operating tolerance
- 24V ac/dc auxiliary supply
- M12 plug connection

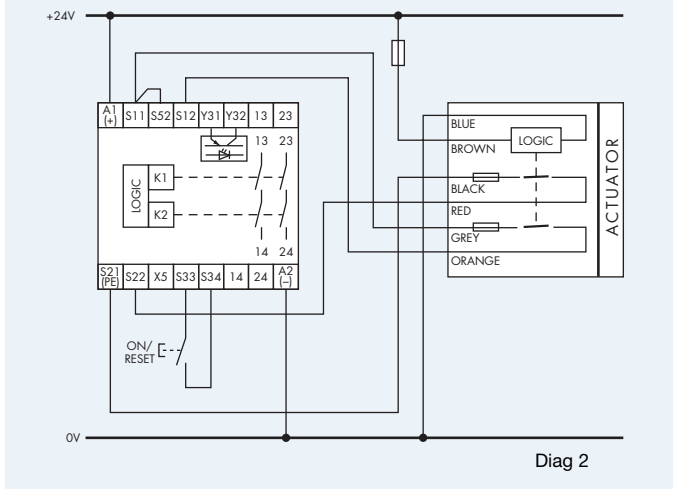
TYPICAL SCHEMATIC DIAGRAM



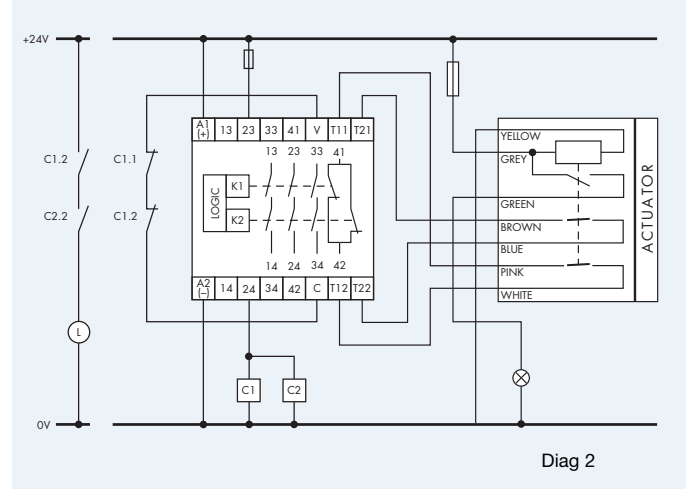
TYPICAL SCHEMATIC DIAGRAM



Opto 2S with F123



Anatom M18 with Awax 26XXL



VERSIONS

Opto 2S - polycarbonate housing.

VERSIONS

Anatom M18 - M18 thread with male plug connector.