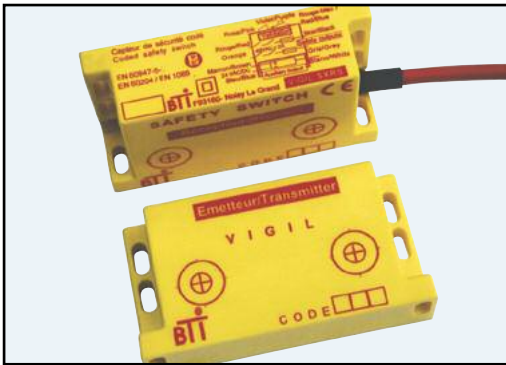


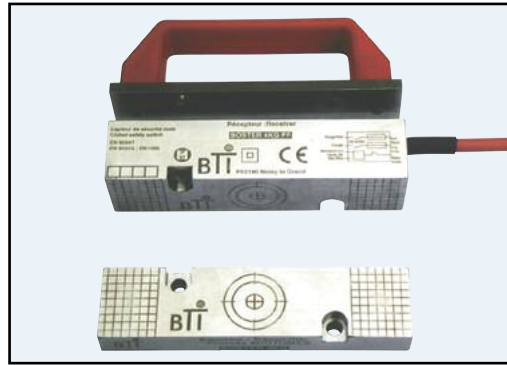
Type Vigil/Boster

VIGIL



Dimensions and specifications - see page 222

BOSTER



Dimensions and specifications - see page 222

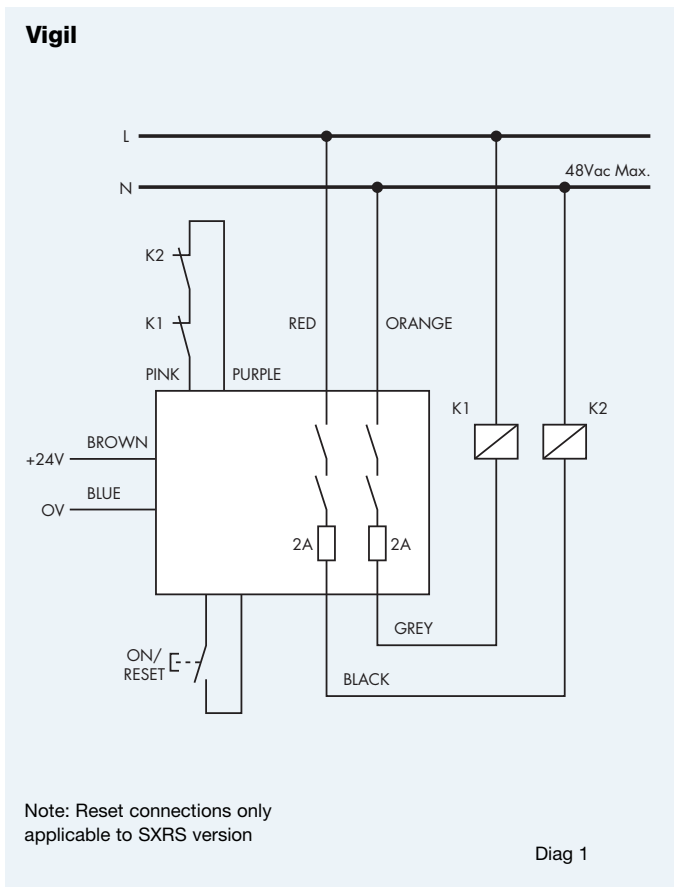
FEATURES

- Category 3 or 4 standalone switch
- Monitored output contacts 2 N/O, 1 N/C
- Up to 10mm misalignment /operating tolerance
- 24V ac/dc auxiliary supply
- Automatic detection of contact failure
- 124 available codes

FEATURES

- Category 2 (automatic checking)
- Category 4 when used with appropriate Safety Relay
- Monitored output contacts 2 N/O, 1 N/C
- Stainless steel housing
- Magnetic latch - 3kg or 4kg holding force
- 24V ac/dc auxiliary supply
- Automatic detection of contact failure

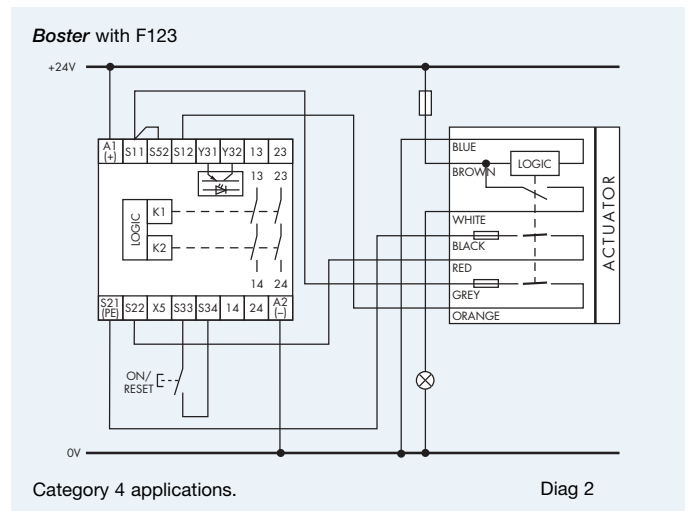
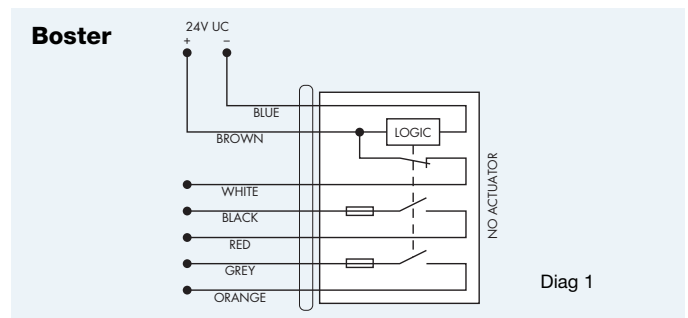
TYPICAL SCHEMATIC DIAGRAM



VERSIONS

Vigil SXR - Auto reset for category 3 applications.
 Vigil SXRS - Monitored manual reset for category 4 applications
[DATA SHEET RI14065](#)

TYPICAL SCHEMATIC DIAGRAM



VERSIONS

Boster 3K - 3kg holding force. (Optional handle, details on request).
 Boster 4K - 4kg holding force. (Optional handle, details on request).
[DATA SHEET RI14070](#)